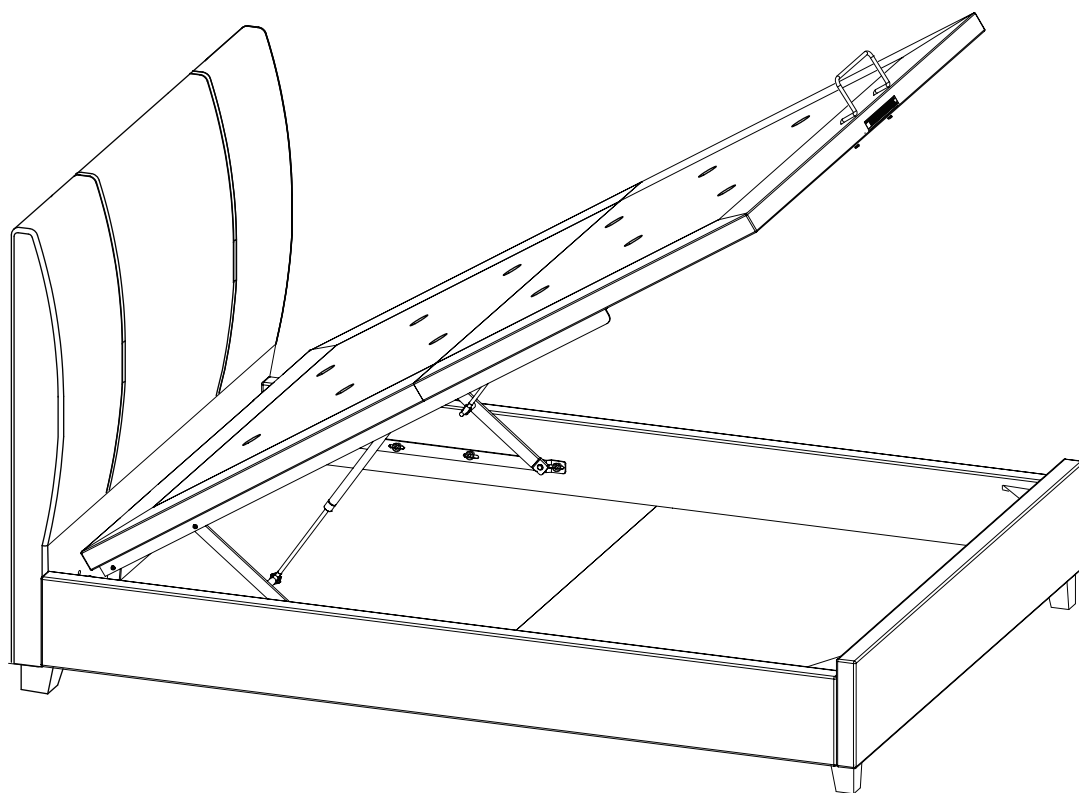
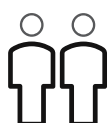


# Lymington Ottoman Bed

Double  
King  
Super King



1 hour approx  
assembly time



Two person  
assembly

feather&black

# Thank you

Hello, thanks for choosing to purchase your bed from Feather & Black - you're now on your way to your best ever night's sleep. Before you begin building your bed, please take a moment to read through the instructions and make sure that you've got all the relevant parts listed on the following pages.



## Assembly tips

Before you begin, it's best to identify all parts and fittings to build your bed. We advise laying these out on the floor to check you have everything, and familiarising yourself before building.



## Top tip

We recommend that you build your new bed in the room you'd like it to be located - this will help prevent any risk of damage to your newly built bed whilst moving it.



## Safety and care

It's really important to ensure children and animals are kept away from the assembly area, as there are small components used in this bed which could present a choking hazard. All plastic and wrapping materials should also be kept away from children and animals to prevent any risk of suffocation.



## Help and support

At Feather & Black, it's our mission to give the whole nation a great night's sleep - this means that the quality of our products is of utmost importance to us. If there are any issues with your product or any missing parts, please contact our Help Centre on 01243 380 600 where a member of our team will be happy to help.



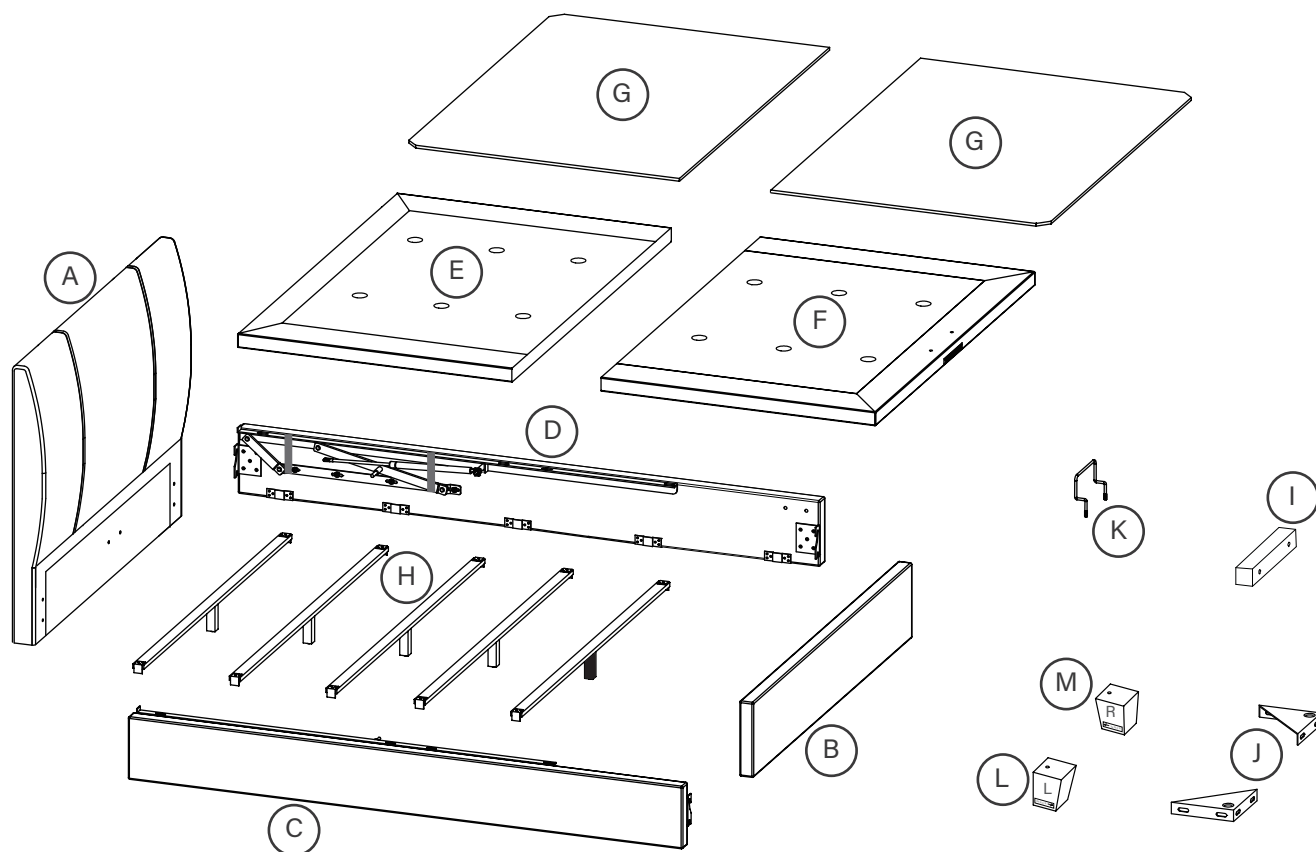
## Recycling

Please ensure that packaging is disposed of in a safe and environmentally friendly way, and recycle where possible. Our assembly instructions are printed on recycled paper. Please keep your assembly instructions safe to refer back to in the future.

# Parts

## Important information

The bed you have purchased comes with mattress base boards - please follow the instructions below in their current order.



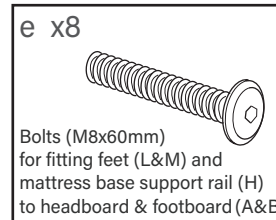
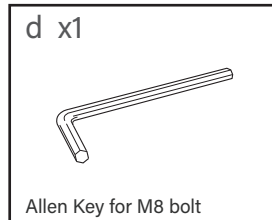
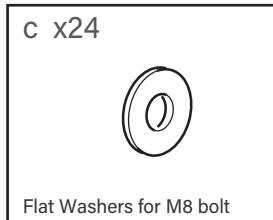
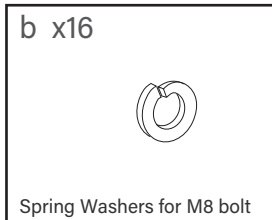
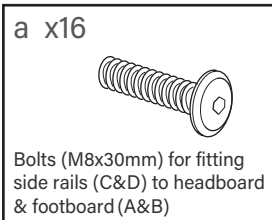
## Parts list

A.	Headboard	1	H.	Base Board Support Rails (Wood)	5
B.	Footboard	1	I.	Mattress Base Support Rails	2
C.	Side rail - Left	1	J.	Angle Brackets	2
D.	Side rail - Right	1	K.	Mattress Base Lifting Handle	1
E.	Mattress Base Board - Headend	1	L.	Feet - Left	2
F.	Mattress Base Board - Footend	1	M.	Feet - Right	2
G.	Storage Base Boards	2			

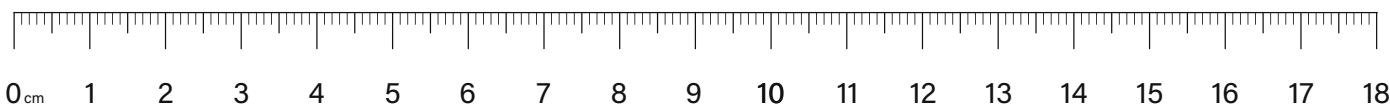
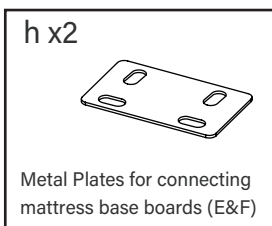
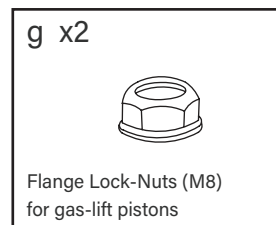
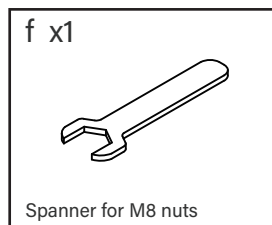
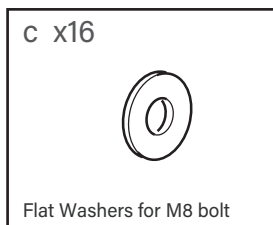
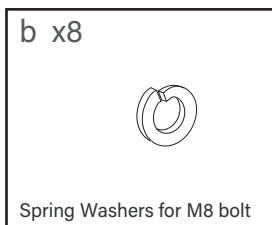
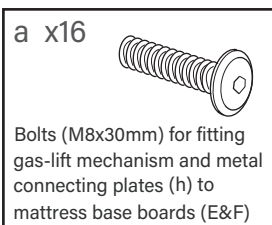
# Fittings

Please check you have all the parts listed below with your product:

## Hardware included for bed assembly (pack A)



## Hardware included for fitting mattress base boards (pack B)

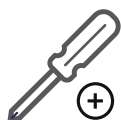


# Tools required

Please check you have all these below



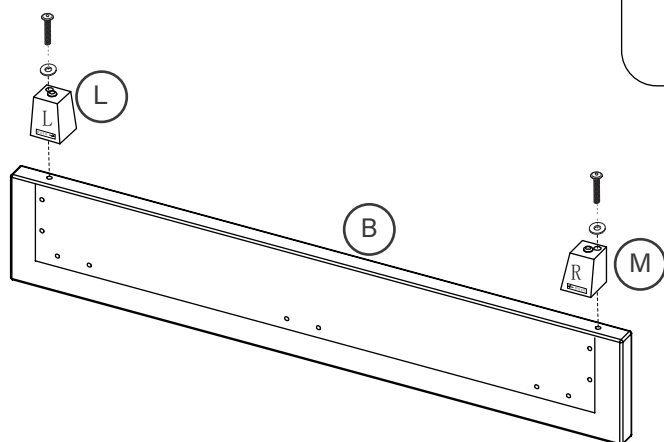
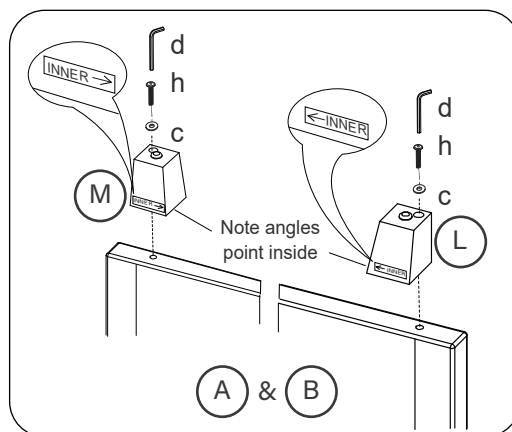
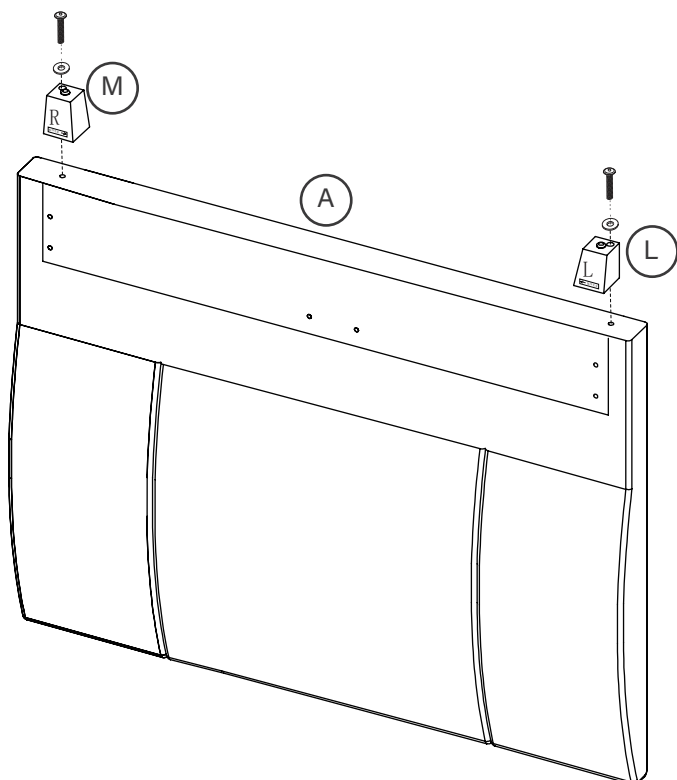
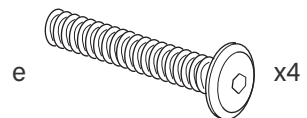
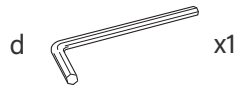
Tape measure



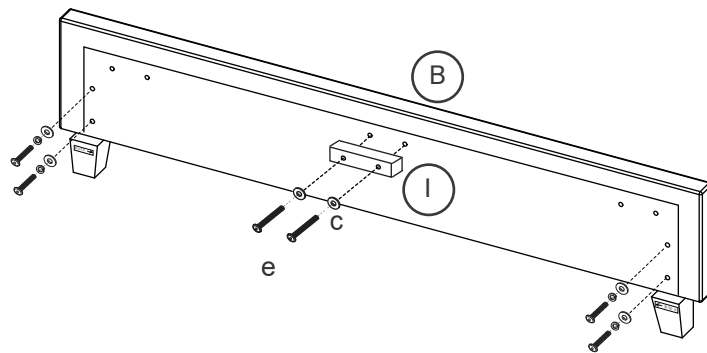
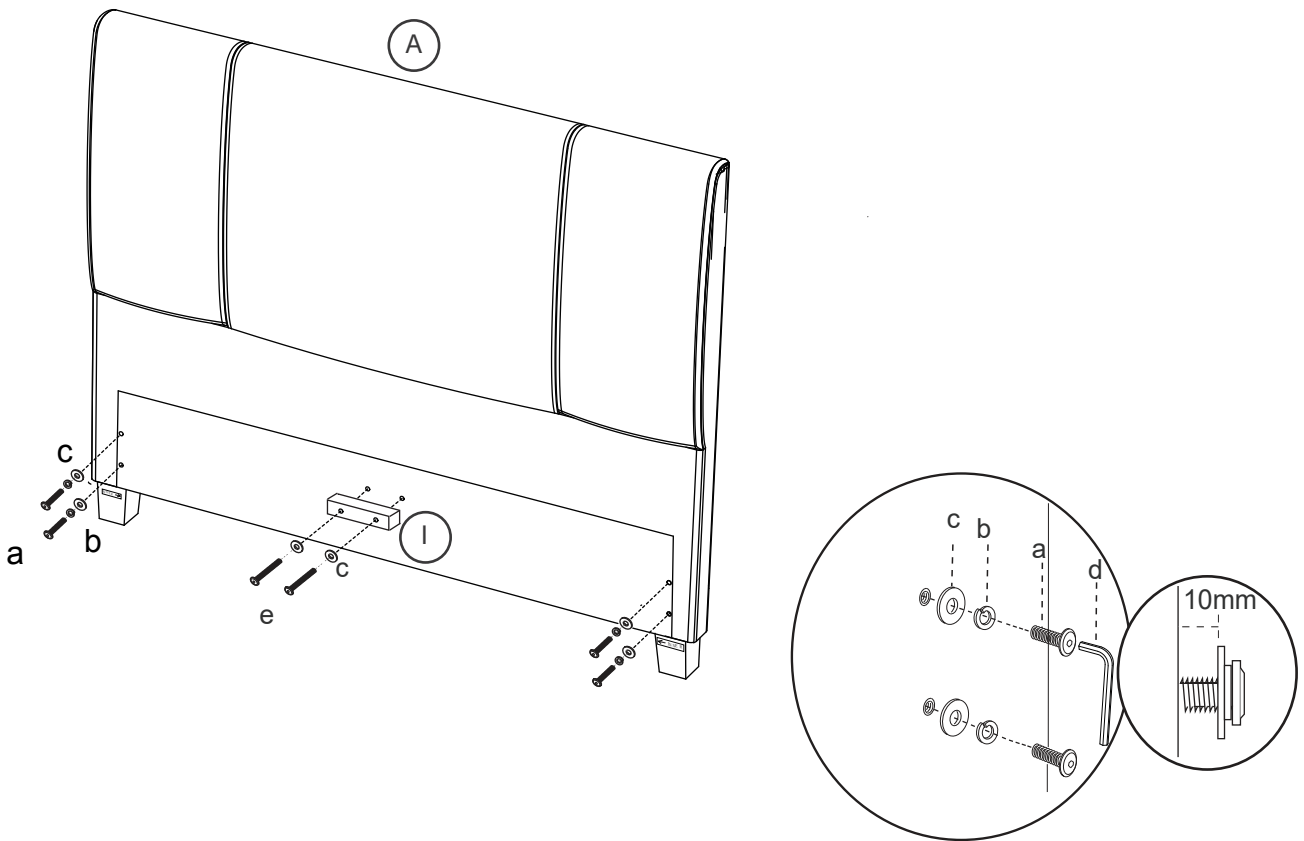
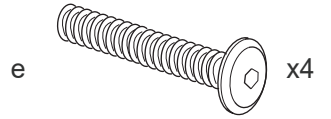
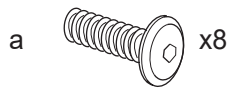
Cross head screwdriver

# Bed assembly - use pack 'A'


1

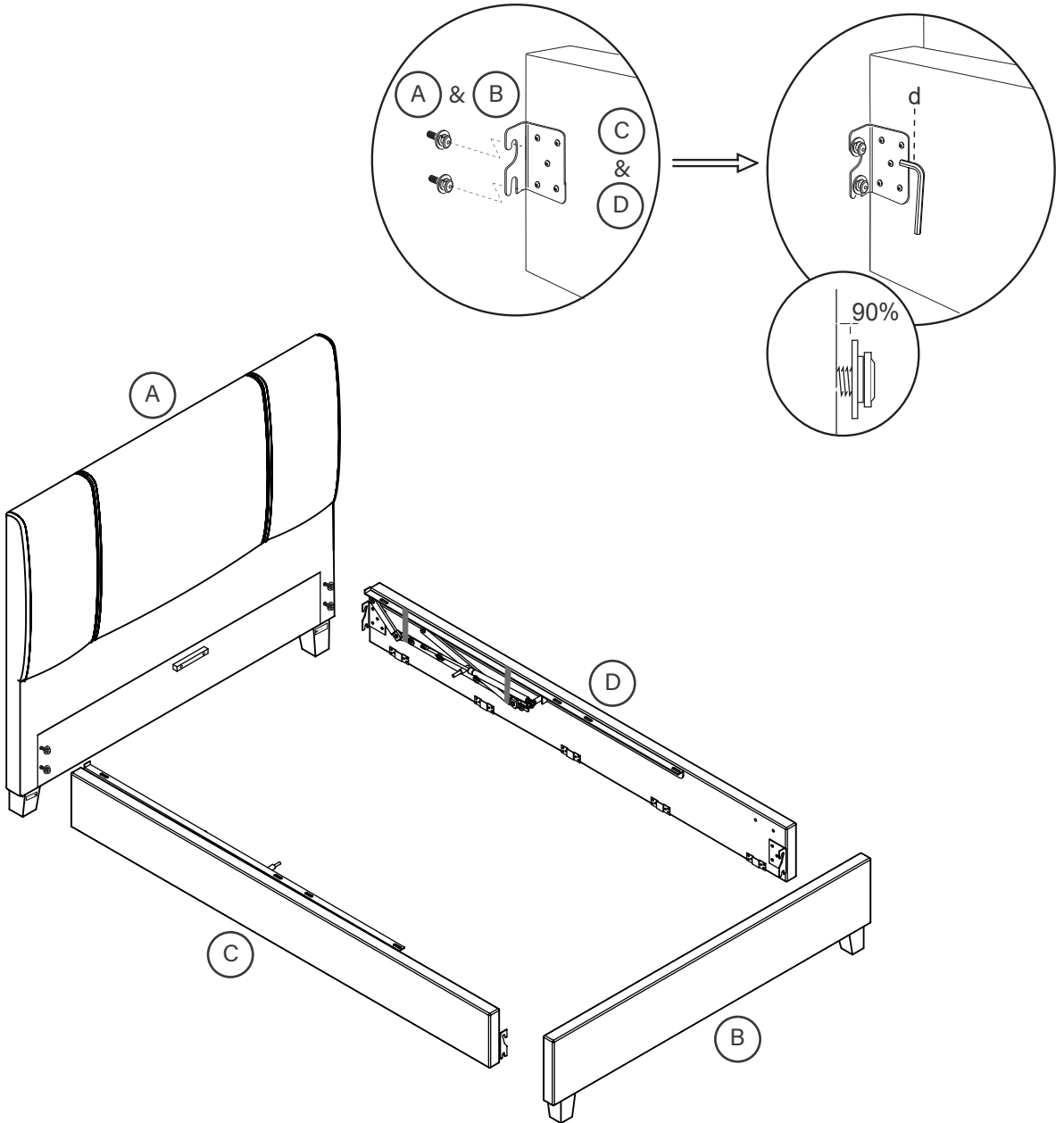


2

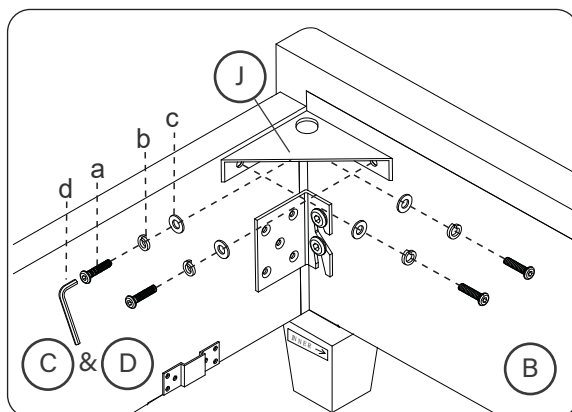
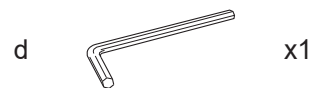
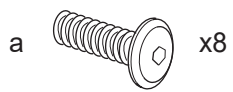


3

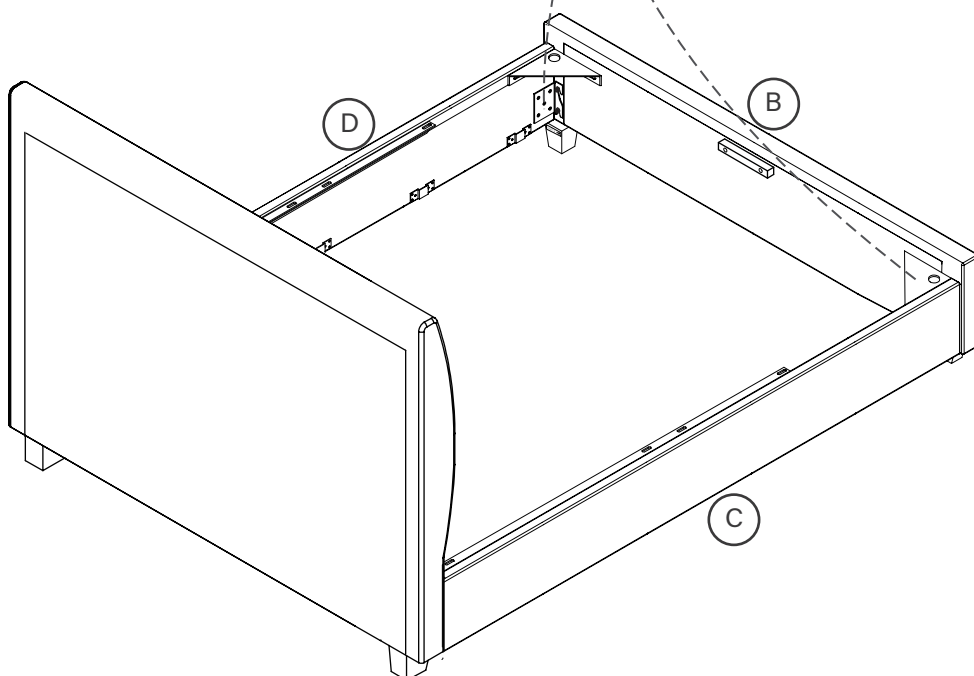
d  x1



4



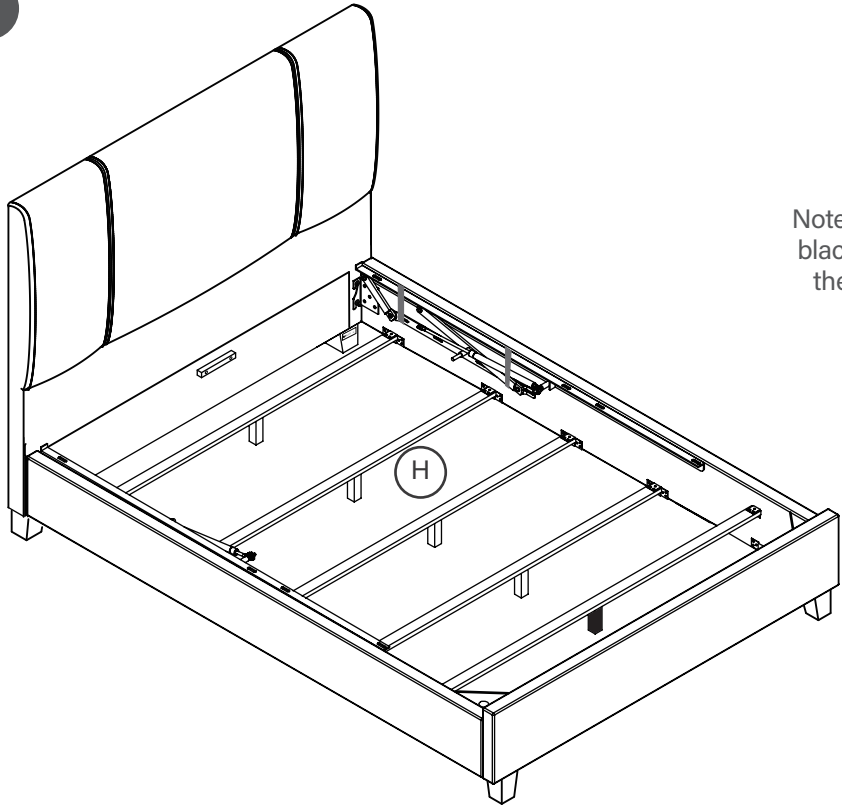
Do not tighten bolts yet.



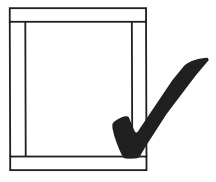
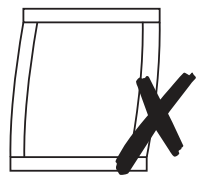
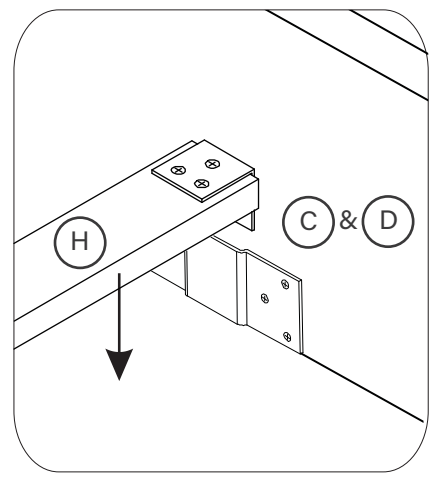


5

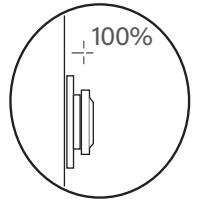
d  x1



Note: The base board support rail with the black upright is the first support fitted into the brackets next to the footboard.

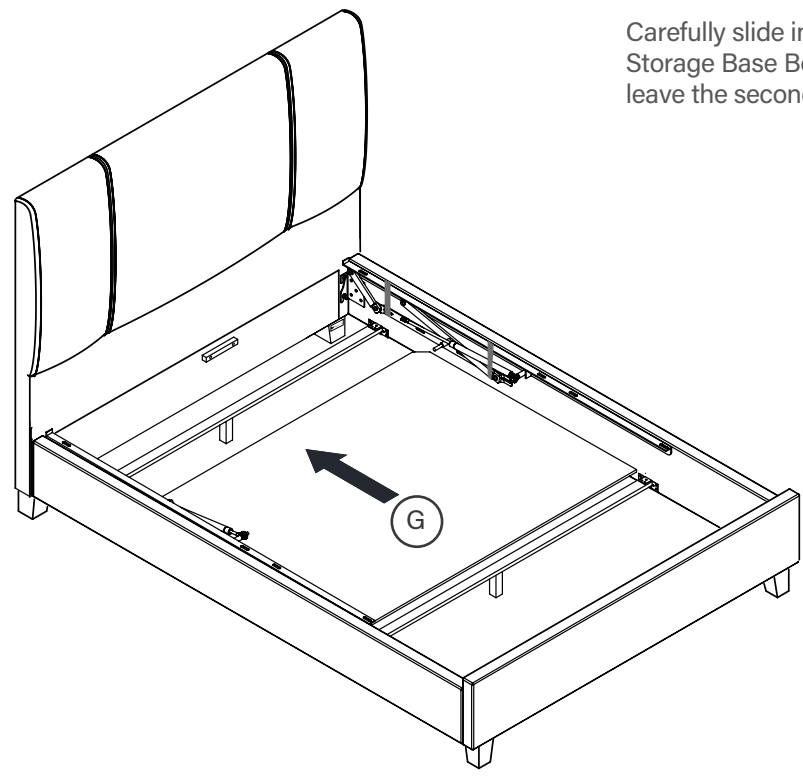


After fitting the wooden Base Board Support Rails, make certain the bed is squared up as shown in the diagram then tighten all bed assembly bolts 100%.



6

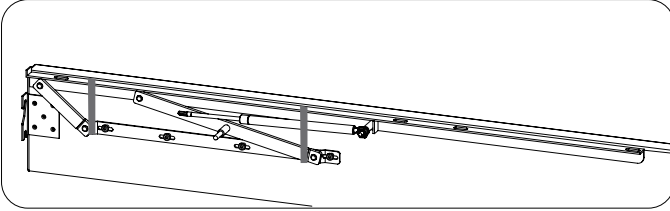
Carefully slide in the first Storage Base Board (G) but leave the second one till later.



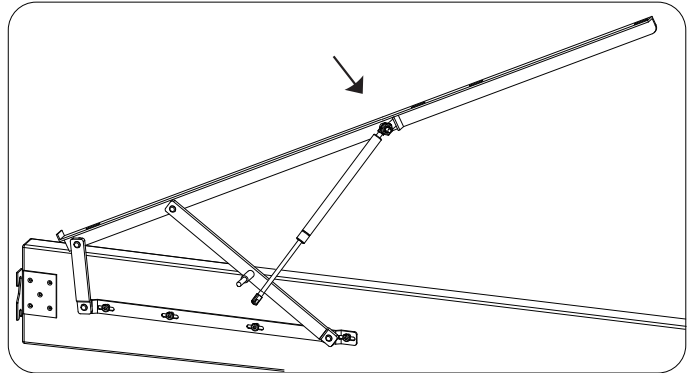
# Bed assembly - use pack 'B'

7

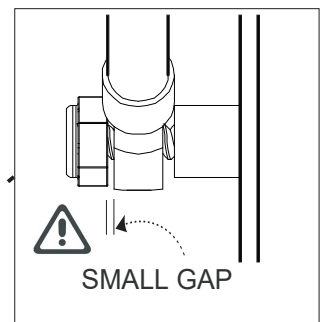
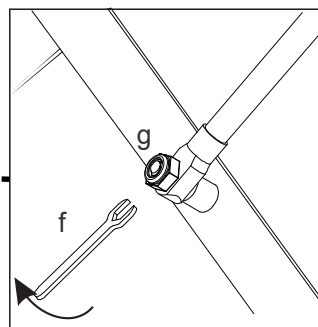
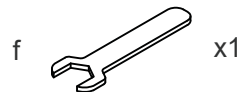
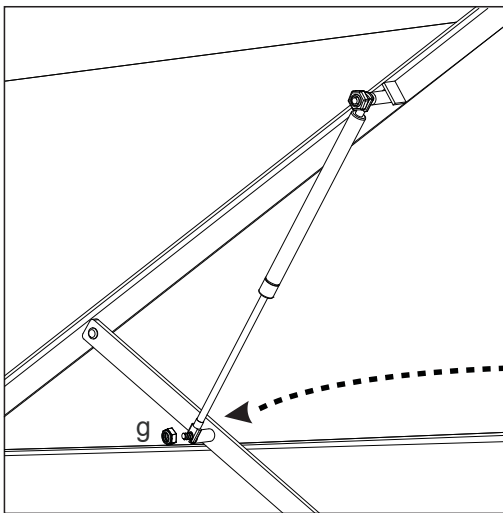
i. Untie the two mechanisms.



ii. Lift up mattress base board support bars.

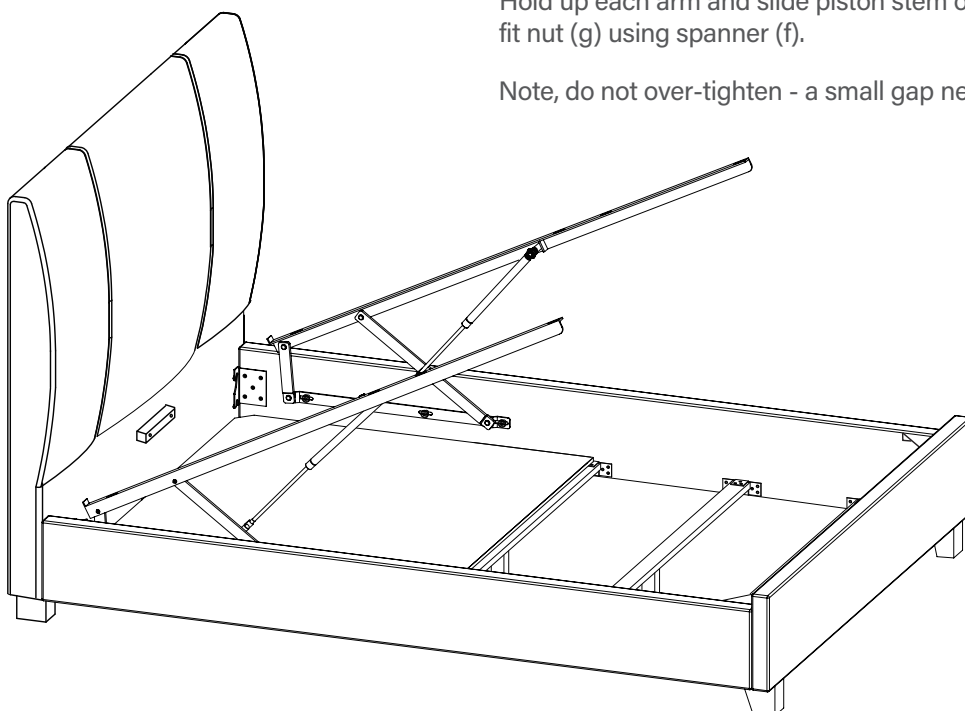


iii. Connect the piston stems

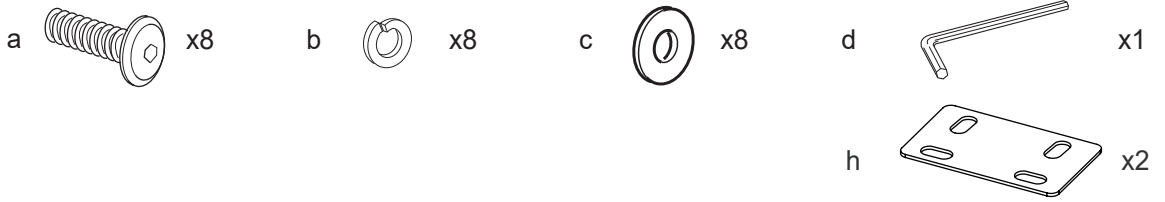


Hold up each arm and slide piston stem onto the threaded axle and fit nut (g) using spanner (f).

Note, do not over-tighten - a small gap needs to be left - see sketch.

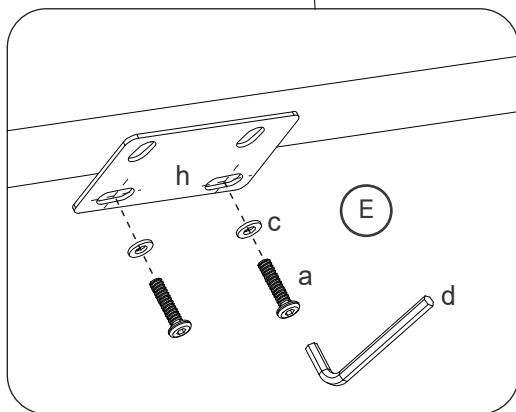
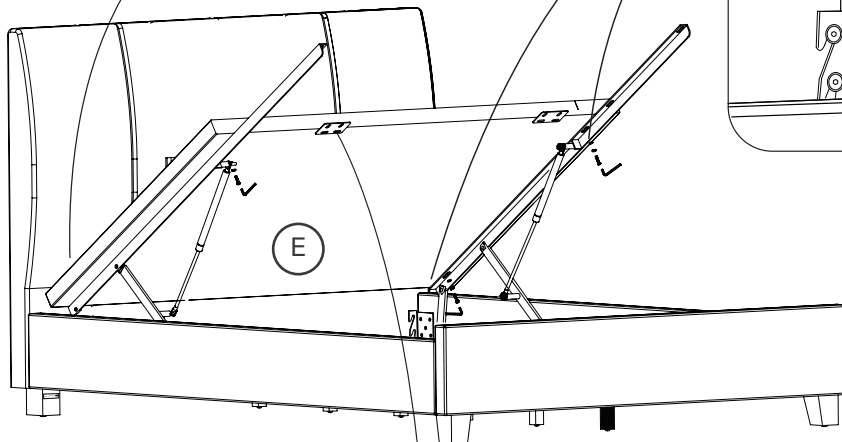
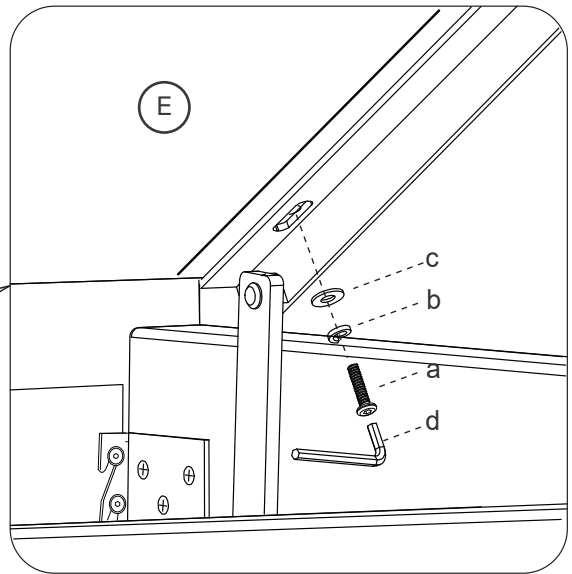
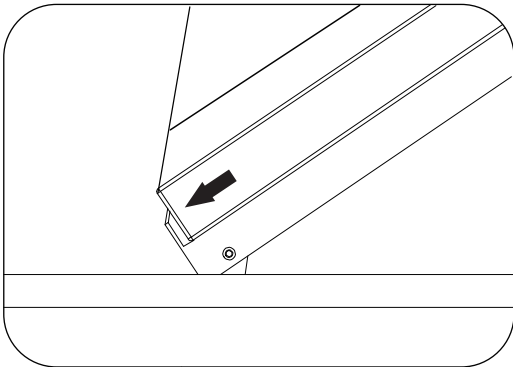


8



Slide headend mattress base board (E) up against the lifting arm stop plates.

Carefully screw x4 bolt sets into base board as shown - do not tighten 100% yet.

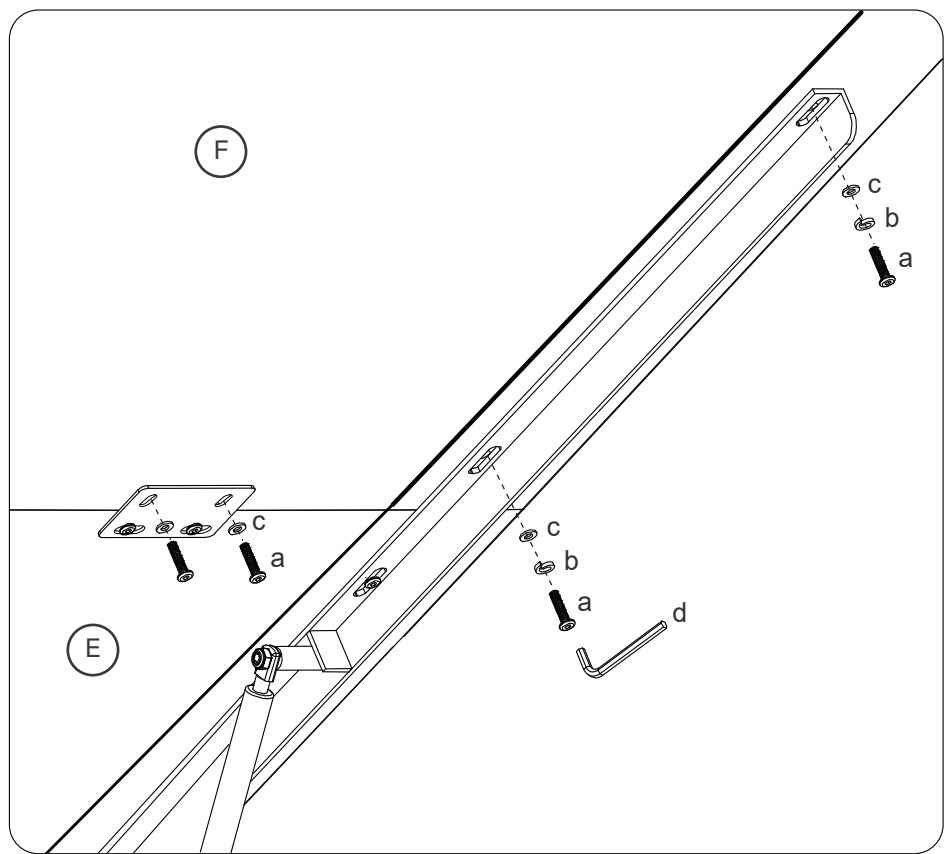


Before fitting front mattress base (F) fit both plates (h) to head end mattress base as shown.

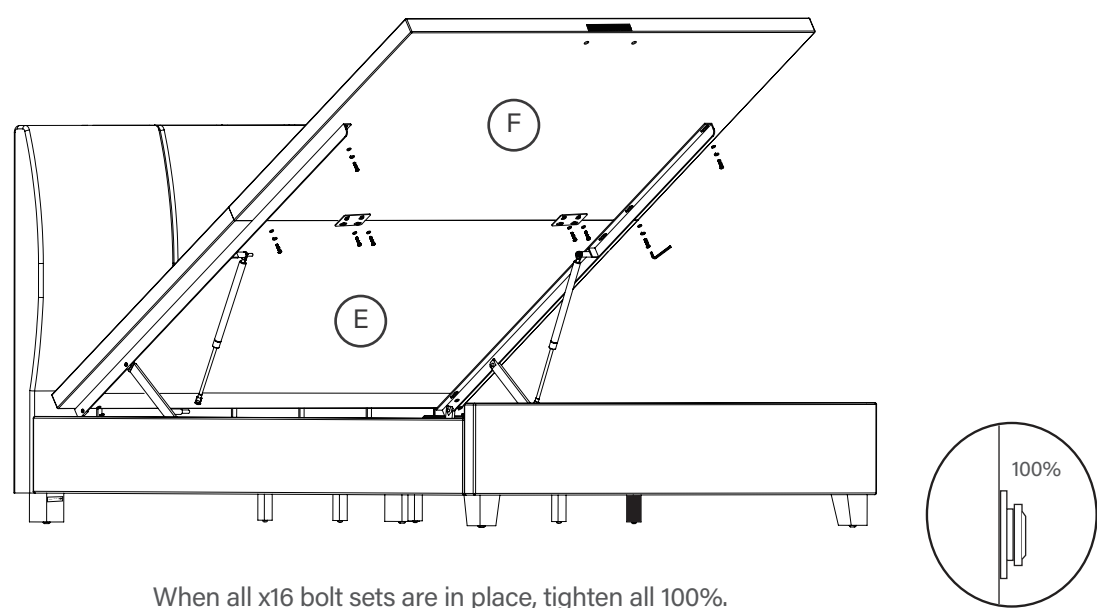
9

- a  x8
- b  x8
- c  x8
- d  x1

Slide footend mattress base board (F) into position.

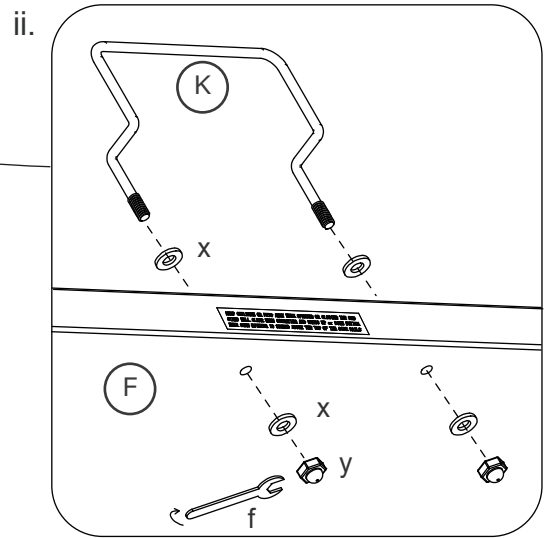
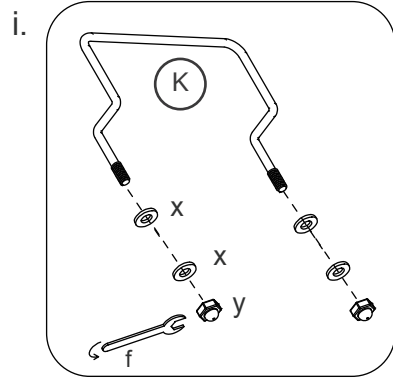
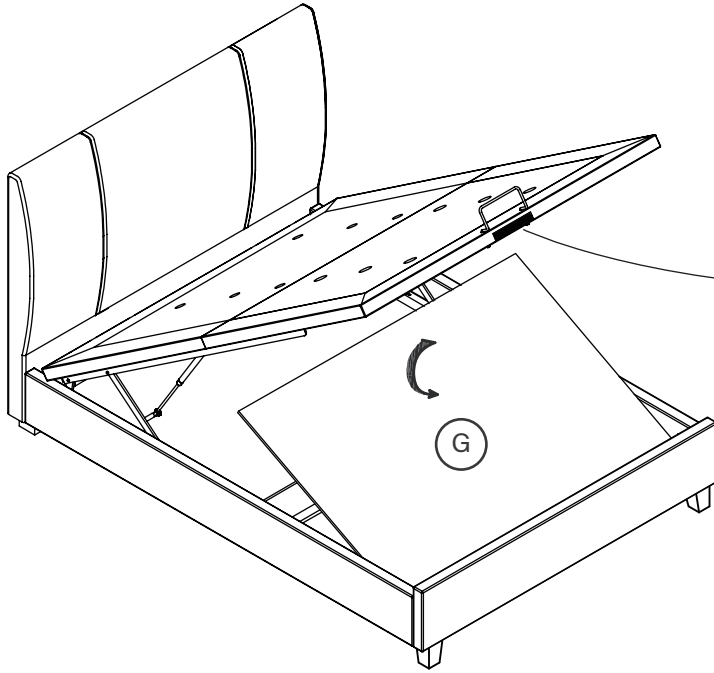
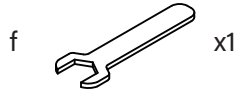


Loosely connect (F) to then plates then screw other x4 sets of bolts into place.

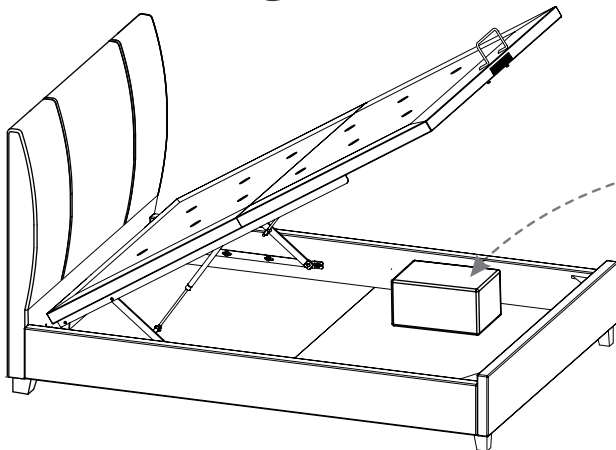


When all x16 bolt sets are in place, tighten all 100%.

10



# Warning !



Note: Be very careful what you store under the bed - the top of an item, like a suitcase or a box, must not touch the underside of the mattress base or it may get damaged.  
Maximum item height is 210mm.



**NOTE :** Before fitting the mattress on top of the mattress base board , carefully lower the base - hold the handle firmly, then place mattress on top. Be careful, without a mattress in place the base may lift on its own and speed of movement is quick and may cause injury.

Depending on the weight of the mattress, the raising & lowering speed will vary so be careful until you get used to the speed. Always use the handle to lift or lower the frame - keep fingers well away from the moving parts.

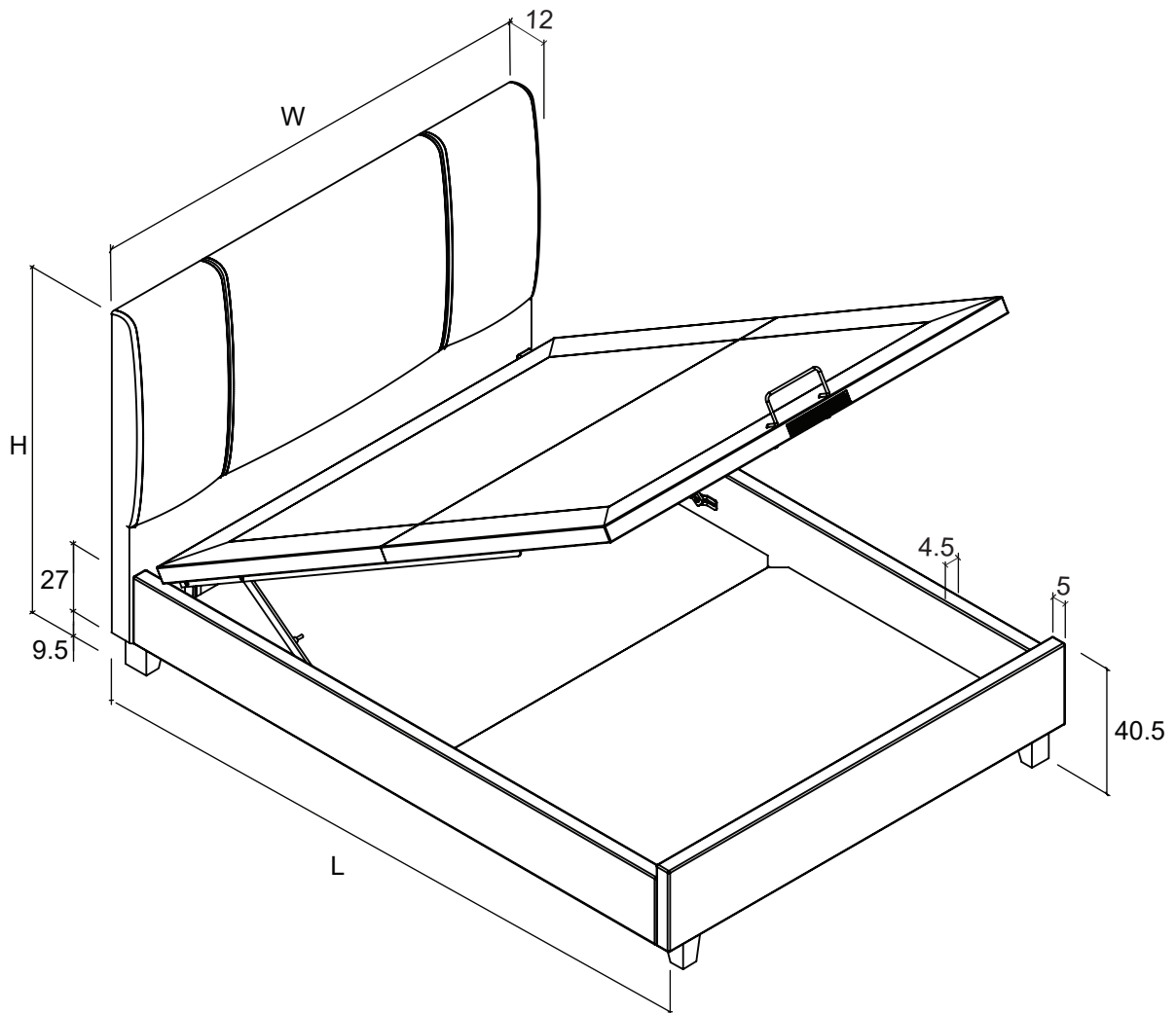
**When fully assembled and with the mattress in position, please raise & lower the ottoman 4/5 times to ensure the gas pistons are fully lubricated.**

Overall Dimensions (LWH cm)

Double: 210 x 138 x 127  
King: 220 x 153 x 127  
Super King: 220 x 183.5 x 127

Storage Dimensions (LWH cm)

Double: 194 x 128.5 x 22  
King: 204 x 143.5 x 22  
Super King: 204 x 173.5 x 22



# Care and maintenance

Here are some tips to keep your new bed in tip-top condition



## Cleaning

To clean your new bed, we'd advise using a warm damp cloth or if fabric, remove dust using a low suction vacuum cleaner - please do not use abrasive chemicals or bleach as this may damage the product.



## Checking and moving

Periodically we recommend you check that the screws or fixtures haven't become loose, over time. To move your new bed, we recommend lifting it where possible, as dragging or pushing it could cause damage to your flooring.



## Wood

Please note each of our wooden pieces are unique, meaning that markings and shade can vary slightly between beds. Over a period of time, the wood might lighten or fade slightly due to light exposure.



## Fabric

Please note depending on the lighting, positioning and surroundings of your room, the shade of the colour can sometimes appear slightly different. Over a period of time the colour might lighten or fade slightly due to light exposure.



## Metal

Metal tends to be more resilient to everyday wear and tear. We recommend to gently dust your metal furniture and keep it dry to maintain its look.

Thank you for shopping with us - we hope you have a great night's sleep

*Sleep well*

feather&black